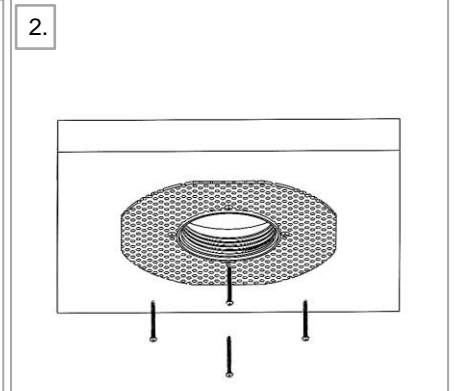
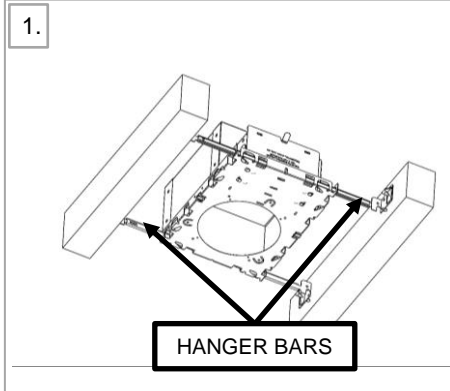


READ ALL THESE INSTRUCTION BEFORE INSTALLING

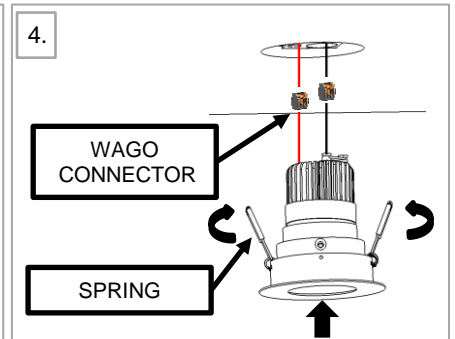
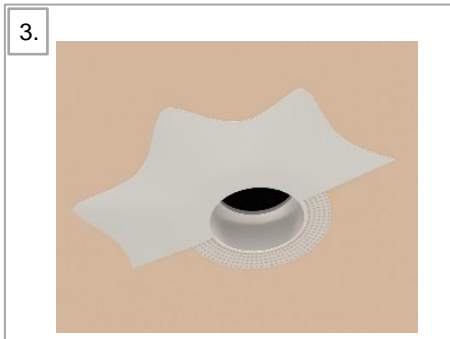
WARNING - RISK OF FIRE AND ELECTRICAL SHOCK. FIXTURE MUST BE INSTALLED BY A QUALIFIED ELECTRICIAN ONLY. FIXTURE IS INTENDED FOR INSTALLATION IN ACCORDANCE WITH THE NATIONAL ELECTRICAL CODE, LOCAL AND FEDERAL SPECIFICATIONS. DISCONNECT POWER AT ELECTRICAL PANEL BEFORE SERVICING. CONNECTION OF LUMINAIRE TO POWERED DRIVER WILL RESULT IN PERMANENT DAMAGE TO THE LED AND VOIDED PRODUCT WARRANTY.

RETAIN THESE INSTRUCTIONS FOR MAINTENANCE REFERENCE.

1. IF USING AN ENCLOSURE, INSTALL IT USING THE HANGER BARS THAT COMES WITH IT. SEE ENCLOSURE INSTALLATION INSTRUCTIONS FOR FURTHER INFORMATION (FIGURE 1). THEN CUT A HOLE IN THE CEILING DRYWALL TAKING THE HOLE ON THE ENCLOSURE AS A REFERENCE. CONNECT POWER SUPPLY AND MAKE ELECTRICAL CONNECTIONS AS BLACK TO BLACK, WHITE TO WHITE & GREEN TO GREEN. IF NOT USING AN ENCLOSURE, CUT A HOLE PER THE CEILING CUTOUT TABLE GIVEN IN PREVIOUS PAGE. CONNECT POWER SUPPLY AND MAKE ELECTRICAL CONNECTIONS AS BLACK TO BLACK, WHITE TO WHITE & GREEN TO GREEN.

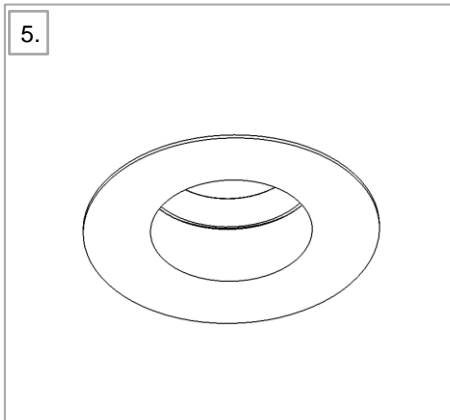


2. INSTALL MUD RING. USE FIBERGLASS TAPE ON THE EDGES OF THE PERFORATED SHEET. SECURE THE MUD RING WITH 4 NAILS IN THE HOLES OF THE PERFORATED SHEET.



3. APPLY MUDDING MATERIAL OVER THE PERFORATED SHEET AND AROUND THE TRIM COLLAR.

4. CONNECT LIGHT FIXTURE'S BLACK & RED WIRES TO THE CORRESPONDING BLACK & RED WIRES OF THE POWER SUPPLY'S OUTPUT. OPEN SPRINGS AND INSERT THE FIXTURE INTO THE TRIM OPENING WITH THE HEATSINK FIRST. MAKE SURE THE WIRES ARE ALL THE WAY IN.



5. IF THE FIXTURE IS ORIENTABLE, ORIENT THE FIXTURE. READY TO SWITCH ON POWER.

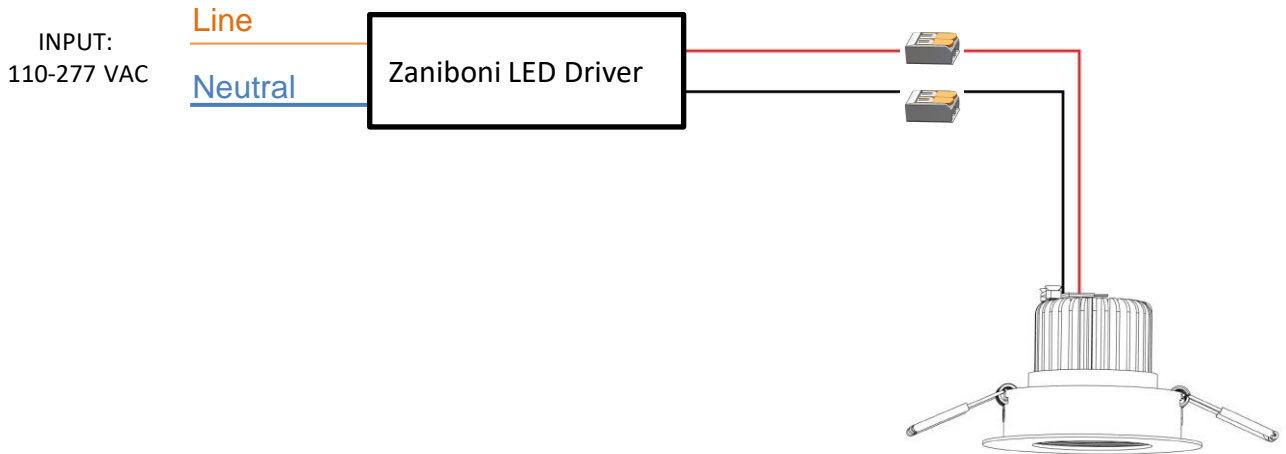
CUTOUT TABLE

FIXTURE	CUTOUT
ALBA 1, 1O	81 mm / 3.19"
ALBA 1 Q	85 X 85 mm/ 3.35" X 3.35"
ALBA 2, 2O	112 mm / 4.4"
ALBA 2A	56 mm / 2.20"
ALBA 2PS, 2P, 2STO,2PO	102 mm / 4.01"
ALBA 3, 3A, 3AO	122 mm / 4.8"
ALBA 3O	140 mm / 5.51"
ALBA 3WJ, 3PJ, 3LJ	155 mm / 6.1"
ALBA 3AQ	110 X 110 mm / 4.33" X 4.33"
ALBA 3QJ,3QPJ, 3QWJ	155 X155 mm / 6.1" X 6.1"

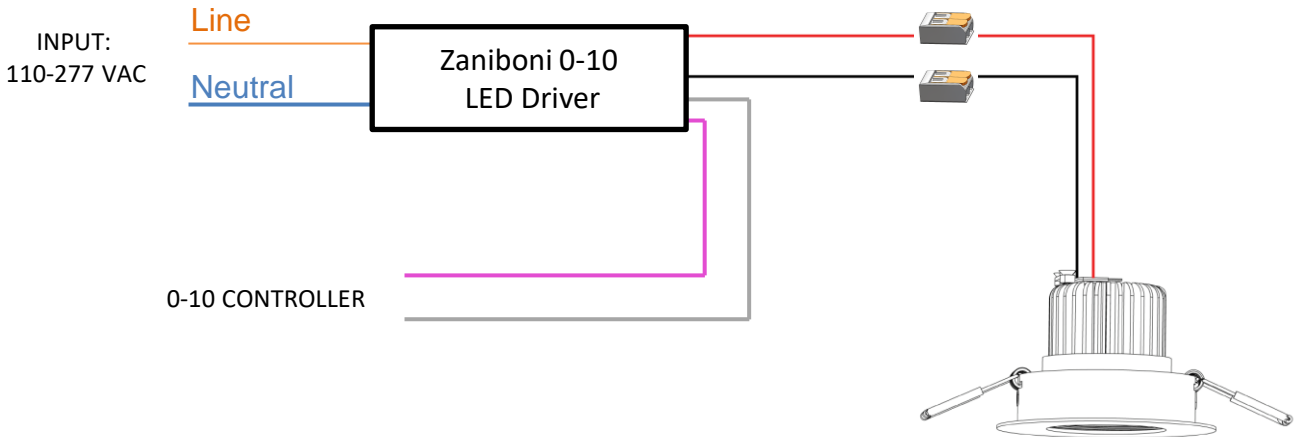
**The manufacturer reserves the right to change or modify the design, dimensions and specifications at anytime without notice. The manufacturer accepts no liability for consequential damage which is occasioned to the user base on the data provided.*

WIRING DIAGRAM – LINE VOLTAGE

- **ELV, NON-DIM, BLUETOOTH DRIVER**



- **0-10 DRIVER**



**The manufacturer reserves the right to change or modify the design, dimensions and specifications at anytime without notice. The manufacturer accepts no liability for consequential damage which is occasioned to the user base on the data provided.*